

Sliding Glass Door Mortise Lock and Handle Set



INTRODUCING A NEW STANDARD FOR NUAIR SLIDING GLASS DOOR HARDWARE

Our new mortise lock and handle set is beautiful, ergonomically designed and now comes as a standard feature on all NuAir Non-Impact Series Sliding Glass Doors.

No more worries about knuckle busting recessed locks that barely give you enough room to fit your fingers, much less give you the leverage you need to move multiple door panels. These handsome pulls (standard inside and outside) are sleek, elegant and easy to grasp. Their low-profile design will keep the inside pull from interfering with your window treatments. The handles are made from a

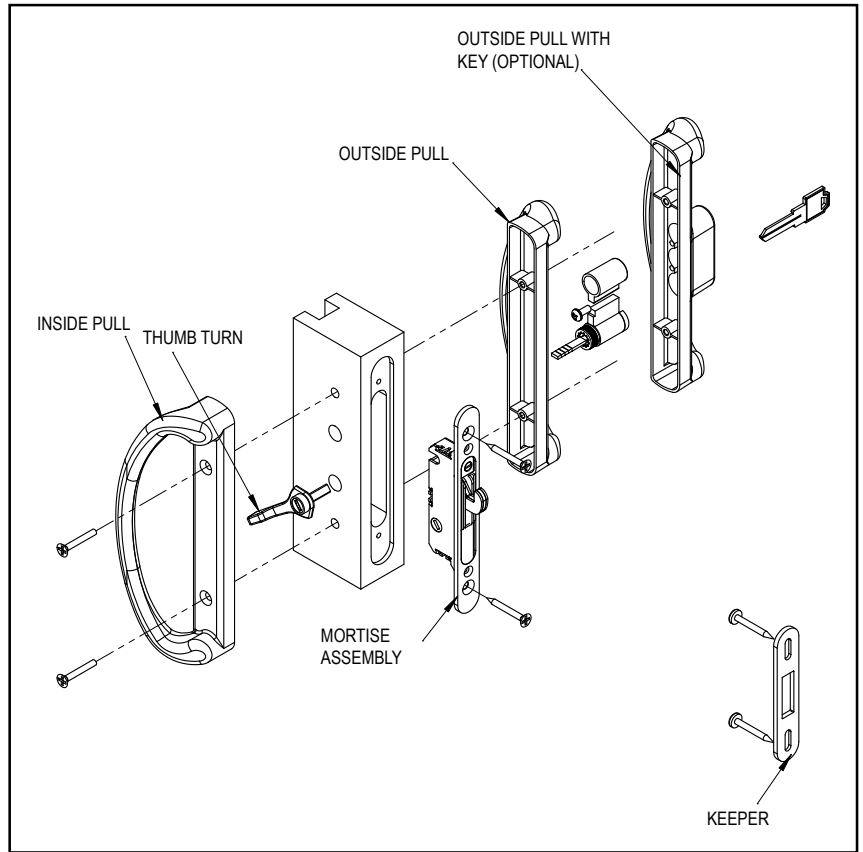
sturdy zinc-zamac #3 alloy and are coated with a polyester electrostatic finish providing excellent resistance to chipping, scratching and corrosion while maintaining color. The large levered mortise lock actuator is easy to find and flip into the locked position. As an added security feature, the single-point, stainless steel mortise lock sweeps upward preventing the door from being lifted off of the keeper. This hardware even comes with a 5-pin Weiser type key option so you can use your sliding glass door as an additional keyed entry to your home.

PRODUCT FEATURES

- Pulls on both inside and outside of door.
- Low-Profile handle is sleek, elegant and easy to grasp.
- Large levered mortise lock actuator makes locking easier
- Single point keeper has a perfect alignment system
- Grade 30 pull test rating
- Stainless steel dead latch (mortise), trim-plate and keeper.
- Easy-grip handles make sliding multiple panels easy.
- Self-canceling lock protection feature protects lock and jamb from damage if door is closed with lock left in the locked position.
- ESP polyester powder coated finish in white or black provides excellent resistance to chipping, scratching and corrosion while maintaining color.
- Warranty – Protected with a limited lifetime warranty.
- Security, no screws to tamper with from the outside of handle.
- Stainless steel mortise lock sweeps upward preventing the door from being lifted off of the keeper.
- Keyed option lets you use your sliding glass door as a keyed entry.

NuAir Sliding Glass Door Mortise Lock and Handle Set Assembly

(Now standard on all NuAir 200 & 500 Series Sliding Glass Doors)



Sliding Glass Doors

At a Glance

	Standard	Optional	Not Available	Heavy Gauge Aluminum Frame and Track	Available Pocket or Bypass up to 4 Tracks	Double Perimeter Weather Stripping	Optional Sill Risers Up to 4" High*	Stainless Steel Reinforced Track*	Reinforced For Higher Design Pressures	Stainless Steel Adjustable Rollers	New Stainless Steel Mortise Locks	Double Action Stainless Mortise Lock	Available in 90° Corner Door	Tested to Dade 202 Protocol	Tested to Dade 201, 202 and 203 Protocol	KeepSafe™ Maximum Laminated Glass System	
200 Popular Options and Styles	●	○	○	●	○	○	○	○	○	○	●	○	○	○	○	○	○
500 Added Strength and Upscale (wide style) Look	●	○	○	●	○	○	○	○	○	○	●	○	○	○	○	○	○
975 Affordable Luxury with Premium Performance	●	○	○	●	○	○	○	○	○	○	○	●	○	○	○	○	○
9000 The Ultimate in Impact Resistance and Protection	●	○	○	●	○	○	○	○	○	○	○	●	○	○	○	○	○

- Insulated units come standard with tandem adjustable rollers.
- 9000 impact units are wet glazed for greater strength and seal.
- Stainless secondary locks optional on all units.
- * Stainless steel track inserts recommended on all I.G. Units.
- * Standard Sill Riser 1-1/2"

Mortise Lock & Handle